

TELECOM RANGE



Model No. TEL 125 (12 Volts, 152 Ah at 8 hour Rate to 1.75 vpc)
Valve Regulated Lead acid Battery for communications
standby power & UPS applications

Innovative Features

- ◆ Completely maintenance free, sealed construction eliminates the need for watering
- ◆ Fully tank formed plates
- ◆ Analytical Grade electrolyte
- ◆ Spill proof / leak proof
- ◆ Valve regulated Max internal pressure 2.5 psi
- ◆ Multi-position usage
- ◆ ABS Case & Cover Flame Retardant meets UL 94 VO requirements
- ◆ Low self discharge
- ◆ FAA and IATA approved as non-hazardous
- ◆ Designed to comply with Bellcore TR-NWT-000766, Bellcore TR-NWT-000909, ANSI T1.330-1997, Telcordia SR 4228, British Standard BS 6290 Part 4, IEC 896 Part 2, Eurobat, DIN 43534
- ◆ UL Recognized, ISO 9001

Ampere Hour Capacity at 77°F (25°C) to 1.75 vpc

Discharge Time in Hrs	1	2	3	4	5	6	7	8	10
Ampere Hour Capacity	105.0	123.0	132.0	137.0	142.0	146.0	149.0	152.0	157.0

Website: www.hazebattery.com/usa
E mail : customerservice@hazebattery.com
Ph: 952-746-7528 Fax: 952-746-7527



AGM Range
Sealed Lead Acid 12 Volt Bloc

Specifications

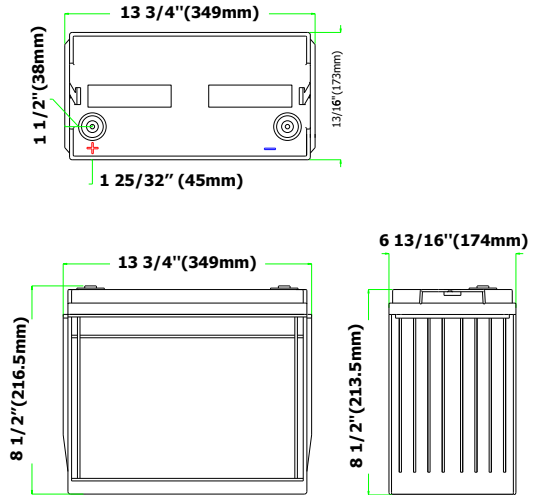
Nominal Voltage		12V	
Nominal Capacity		169 Ah	C20
Dimensions	Total Height (Inc terminals)	11.14 inches n/a	283 mm n/a
	Length	13.39 inches	340 mm
	Width	6.81 inches	173 mm
	Weight	95.69 lbs	43.3 Kg



Haze Battery Company Ltd

Characteristics

Capacity 77°F (25°C) to 1.75 vpc	20 hour rate	169 Ah
	10 hour rate	157 Ah
	5 hour rate	142 Ah
	2 hour rate	123 Ah
	1 hour rate	105 Ah
	Internal Resistance	3.2 mOhms
Capacity correction for temperature Variations (C20)	104°F (40°C)	102%
	68°F (20°C)	100%
	32°F (0°C)	85%
	5°F (-15°C)	65%
Self Discharge 77°F (25°C)	Capacity after 1 month storage	98%
	Capacity after 3 months storage	94%
	Capacity after 6 months storage	86%
Short Circuit Current 77°F (25°C)	3750	
Terminal	Standard	16mm Insert M6 thread
Charging (Constant Voltage)	Cyclic	2.35 - 2.40 vpc (59 - 77°F)
	Float	2.27 - 2.30 vpc (59 - 77°F)



End V per Cell	Ampere Hour at 77°F (25°C)										
	1 hr	2 hr	3 hr	4 hr	5 hr	6 hr	7 hr	8 hr	10 hr	12 hr	20 hr
1.85	92.3	108.0	116.0	120.0	125.0	128.0	131.0	134.0	138.0	141.0	149.0
1.80	98.6	116.0	124.0	129.0	134.0	137.0	140.0	143.0	147.0	151.0	159.0
1.75	105.0	123.0	132.0	137.0	142.0	146.0	149.0	152.0	157.0	160.0	169.0
1.70	107.0	126.0	134.0	140.0	145.0	149.0	152.0	155.0	160.0	164.0	173.0

End V per Cell	Constant Amps Discharge - Amps at 77°F (25°C)										
	1 hr	2 hr	3 hr	4 hr	5 hr	6 hr	7 hr	8 hr	10 hr	12 hr	20 hr
1.85	92.3	54.10	38.60	30.30	25.00	21.40	18.70	16.70	13.80	11.80	7.43
1.80	98.6	57.80	41.20	32.40	26.70	22.90	20.00	17.90	14.70	12.60	7.94
1.75	105.0	61.40	43.80	34.50	28.40	24.30	21.30	19.00	15.70	13.40	8.45
1.70	107.0	62.80	44.80	35.20	29.00	24.90	21.80	19.40	16.00	13.70	8.63

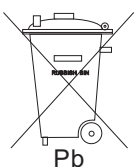
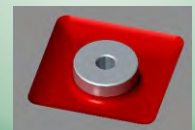
End V per Cell	Constant Power Discharge - Watts/Cell at 77°F (25°C) in Minutes										
	5	10	15	20	25	30	35	40	45	60	90
1.67	1029.0	643.0	508.0	431.0	376.0	340.0	311.0	288.0	265.0	213.0	154.0

Specifications

Design Life	12 Years
Operating Temperature	-20 °C to 50 °C
Grid alloy	Calcium / Tin lead alloy
Plates	Flat Pasted
Separator	Absorbant Glass Mat
Active material	Very high purity lead
Charge Voltage	Float 2.27 - 2.30 VPC @25 °C Cycling 2.35 @25 °C Max. 2.4 VPC Max ripple 0.05C (A)
Electrolyte	Sulphuric acid Analytical grade purity
Venting Valve	EPDM Rubber 1.5 to 2 psi (10.5 - 14 KPa) release pressure. Resealing at 1 psi (7 KPa)
Torque setting	The recommended torque value for all types is 5-7 Nm

Terminal Details

Insert are made from brass with copper, nickel and silver plating giving excellent mechanical, electrical and corrosion resistant properties.



Haze Battery Company keenly encourages environmental awareness; PLEASE follow guidelines for the recycling /disposal of lead.

