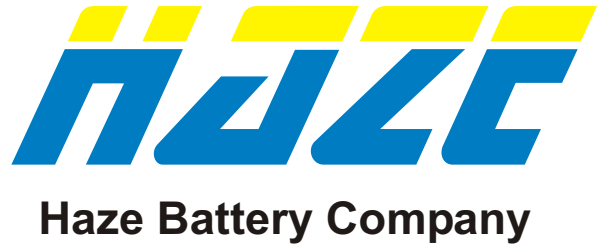


TELECOM RANGE



Model No. TEL 185F (12 Volts, 179 Ah at 8 hour Rate to 1.75 vpc)
Valve Regulated Lead acid Battery for communications
standby power applications

Innovative Features

- ◆ Completely maintenance free, sealed construction eliminates the need for watering
- ◆ Fully tank formed plates
- ◆ Analytical Grade electrolyte
- ◆ Spill proof / leak proof
- ◆ Valve regulated Max internal pressure 2.5 psi
- ◆ Multi-position usage
- ◆ ABS Case & Cover Flame Retardant meets UL 94 VO requirements
- ◆ Low self discharge
- ◆ FAA and IATA approved as non-hazardous
- ◆ Designed to comply with Bellcore TR-NWT-000766, Bellcore TR-NWT-000909, ANSI T1.330-1997, Telcordia SR 4228, British Standard BS 6290 Part 4, IEC 896 Part 2, Eurobat, DIN 43534
- ◆ UL Recognized, ISO 9001

Ampere Hour Capacity at 77°F (25°C) to 1.75 vpc

Discharge Time in Hrs	1	2	3	4	5	6	7	8	10
Ampere Hour Capacity	126.0	142.0	151.0	159.0	164.0	169.0	174.0	179.0	185.0

Website: www.hazebattery.com/usa
E mail : customerservice@hazebattery.com
Ph: 952-746-7528 Fax: 952-746-7527



Sealed Lead Acid 12 Volt Bloc AGM Range

Specifications

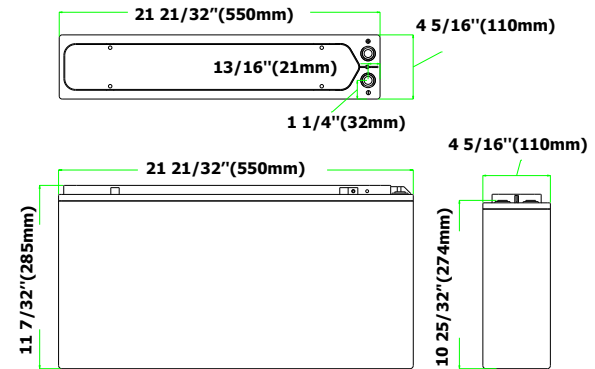
Nominal Voltage		12V	
Nominal Capacity		197 Ah	
Dimensions	Total Height (Inc terminals)	12.58 inches n/a	319.5 mm n/a
	Length	22.05 inches	560
	Width	4.92 inches	125 mm
	Weight	130 lbs	59 Kg



Haze Battery Company Ltd

Characteristics

Capacity 77°F (25°C) to 1.75 vpc	20 hour rate	197 Ah
	10 hour rate	185 Ah
	5 hour rate	164 Ah
	2 hour rate	142 Ah
	1 hour rate	126 Ah
Internal Resistance		3.1 mOhms
Capacity correction for temperature Variations (C20)	104°F (40°C)	102%
	68°F (20°C)	100%
	32°F (0°C)	83%
	5°F (-15°C)	63%
Self Discharge 77°F (25°C)	Capacity after 1 month storage	97%
	Capacity after 3 months storage	93%
	Capacity after 6 months storage	85%
Short Circuit Current 77°F (25°C)	Approx 5500A	
Terminal	Standard	18mm Insert M8 thread
Charging (Constant Voltage)	Float	2.27 - 2.30 vpc (59 - 77°F)



End V per

Ampere Hour at 77°F (25°C)

Cell	1 hr	2 hr	3 hr	4 hr	5 hr	8 hr	10 hr	12 hr	20 hr
1.85	112.0	132.0	141.0	149.0	155.0	170.0	176.0	180.0	189.0
1.80	122.0	137.0	147.0	155.0	161.0	176.0	182.0	185.0	194.0
1.75	126.0	142.0	151.0	159.0	164.0	179.0	185.0	189.0	197.0
1.70	128.0	143.0	152.0	160.0	166.0	180.0	187.0	190.0	199.0

Constant Amps Discharge - Amps at 77°F (25°C)

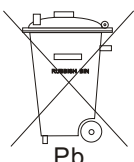
1.85	112.00	65.80	47.10	37.30	31.10	21.20	17.60	15.00	9.44
1.80	122.00	68.60	49.00	38.70	32.20	21.90	18.20	15.40	9.68
1.75	126.00	70.80	50.20	39.60	32.90	22.30	18.50	15.70	9.87

Specifications

Design Life	12 Years
Operating Temperature	-4 °F to 122 °F
Grid alloy	Calcium / Tin lead alloy
Plates	Flat Pasted
Separator	Absorbant Glass Mat
Active material	Very high purity lead
Charge Voltage	Float 2.25 - 2.30 VPC @77 °F Cycling 2.35 @77 °F Max. 2.4 VPC Max ripple 0.05C (A)
Electrolyte	Sulphuric acid Analytical grade purity
Venting Valve	EPDM Rubber 1.5 to 2 psi (10.5 - 14 KPa) release pressure. Resealing at 1 psi (7 KPa)
Torque setting	The recommended torque value for all types is 44-62 inch-pounds

Terminal Details

Insert are made from brass with copper, nickel and silver plating giving excellent mechanical, electrical and corrosion resistant properties.



Haze Battery Company keenly encourages environmental awareness; PLEASE follow guidelines for the recycling /disposal of lead.



UL Recognized
Component
MH 20947

