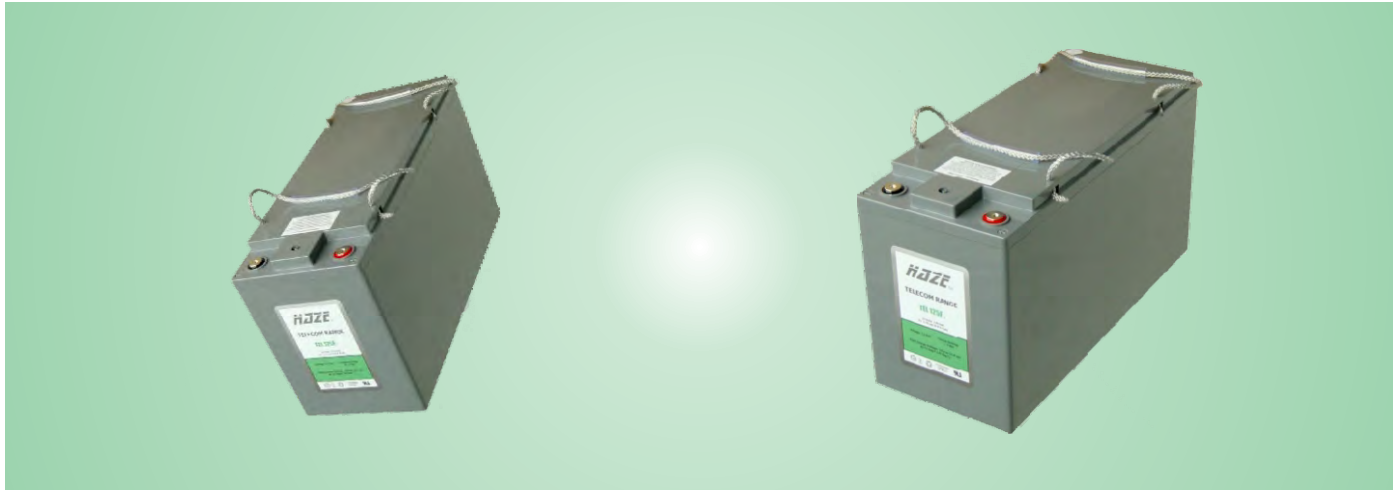


TELECOM RANGE



Haze Battery Company



Model No. TEL 145F (12 Volts, 145 Ah at 8 hour Rate to 1.75 vpc)
Valve Regulated Lead Acid Battery for communications
standby power applications

Innovative Features

- ◆ Completely maintenance free, sealed construction eliminates the need for watering
- ◆ Fully tank formed plates
- ◆ Analytical Grade electrolyte
- ◆ Spill proof / leak proof
- ◆ Valve regulated Max internal pressure 2.5 psi
- ◆ Multi-position usage
- ◆ ABS Case & Cover Flame Retardant meets UL 94 VO requirements
- ◆ Low self discharge
- ◆ FAA and IATA approved as non-hazardous
- ◆ Designed to comply with Bellcore TR-NWT-000766, Bellcore TR-NWT-000909, ANSI T1.330-1997, Telcordia SR 4228, British Standard BS 6290 Part 4, IEC 896 Part 2, Eurobat, DIN 43534
- ◆ UL Recognized, ISO 9001

Ampere Hour Capacity at 77°F (25°C) to 1.75 vpc

Discharge Time in Hrs	1	2	3	4	5	6	7	8	10
Ampere Hour Capacity	90.5	106.0	116.0	124.0	131.0	137.0	141.0	145.0	152.0

Website: www.hazebattery.com/usa
E mail : customerservice@hazebattery.com
Ph: 952-746-7528 Fax: 952-746-7527



AGM Range
Sealed Lead Acid 12 Volt Bloc

Specifications

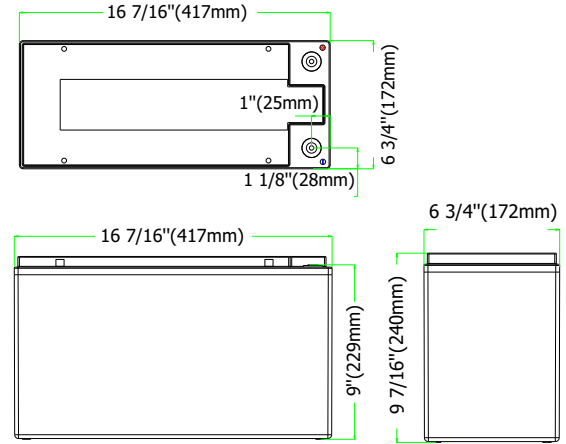
Nominal Voltage		12V	
Nominal Capacity		165 Ah	C20
Dimensions	Total Height (Inc terminals)	9.45 inches n/a	240 mm n/a
	Length	16.42 inches	417 mm
	Width	6.75 inches	172 mm
	Weight	101.4 lbs	46 Kg



Haze Battery Company Ltd

Characteristics

Capacity 77°F (25°C) to 1.75 vpc	20 hour rate	165 Ah	
	10 hour rate	152 Ah	
	5 hour rate	131 Ah	
	2 hour rate	106 Ah	
	1 hour rate	90.5 Ah	
	Internal Resistance	2.9 mOHms	
Capacity correction for temperature Variations (C20)	104°F (40°C)	102%	
	68°F (20°C)	100%	
	32°F (0°C)	85%	
	5°F (-15°C)	65%	
Self Discharge 77°F (25°C)	Capacity after 1 month storage	98%	
	Capacity after 3 months storage	94%	
	Capacity after 6 months storage	86%	
Max Charge Current 68°F (20°C)	35		
Terminal	Standard	16mm Insert M6 thread	
	Charging	Cyclic	2.40 vpc (59 -77°F)
	(Constant Voltage)	Float	2.27 - 2.30 vpc (59 -77°F)



End V per Ampere Hour at 77°F (25°C)

Cell	1 hr	2 hr	3 hr	4 hr	5 hr	6 hr	7 hr	8 hr	10 hr	12 hr	20 hr	24 hr
1.85	78.3	95.4	107.0	116.0	124.0	130.0	135.0	139.0	145.0	150.0	160.0	162.0
1.80	86.6	103.0	113.0	122.0	129.0	135.0	139.0	143.0	150.0	154.0	163.0	166.0
1.75	90.5	106.0	116.0	124.0	131.0	137.0	141.0	145.0	152.0	156.0	165.0	168.0
1.70	93.3	108.0	119.0	127.0	132.0	138.0	143.0	147.0	153.0	157.0	166.0	169.0

End V per Constant Amps Discharge - Amps at 77°F (25°C)

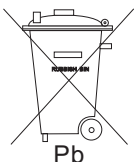
Cell	1 hr	2 hr	3 hr	4 hr	5 hr	6 hr	7 hr	8 hr	10 hr	12 hr	20 hr	24 hr
1.85	76.80	46.80	35.00	28.50	24.30	21.20	18.90	16.90	14.20	12.20	7.83	6.63
1.80	84.80	50.30	37.00	29.80	25.20	22.00	19.40	17.40	14.70	12.60	8.00	6.78
1.75	88.70	51.80	37.90	30.50	25.60	22.30	19.70	17.70	14.90	12.70	8.06	6.84
1.70	91.40	52.80	38.70	31.00	26.00	22.50	20.00	17.90	15.00	12.80	8.14	6.90

Specifications

Design Life	12 Years
Operating Temperature	-4 °F to 122 °F
Grid alloy	Calcium / Tin lead alloy
Plates	Flat Pasted
Separator	Absorbant Glass Mat
Active material	Very high purity lead
Charge Voltage	Float 2.27 - 2.30 VPC @77 °F Cychling 2.35 @77 °F Max. 2.4 VPC Max ripple 0.05C (A)
Electrolyte	Sulphuric acid Analytical grade purity
Venting Valve	EPDM Rubber 1.5 to 2 psi (10.5 - 14 KPa) release pressure. Resealing at 1 psi (7 KPa)
Torque setting	The recommended torque value for all types is 44-62 inch-pounds

Terminal Details

Insert are made from brass with copper, nickel and silver plating giving excellent mechanical, electrical and corrosion resistant properties.



Haze Battery Company keenly encourages environmental awareness; PLEASE follow guidelines for the recycling /disposal of lead.



UL Recognized
Component
MH 20947

